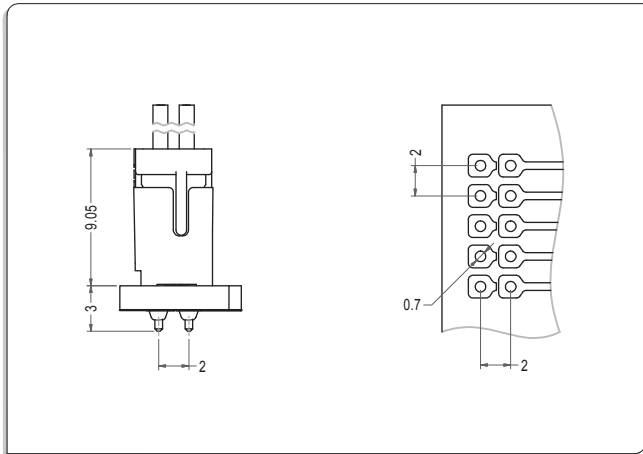


Specifications

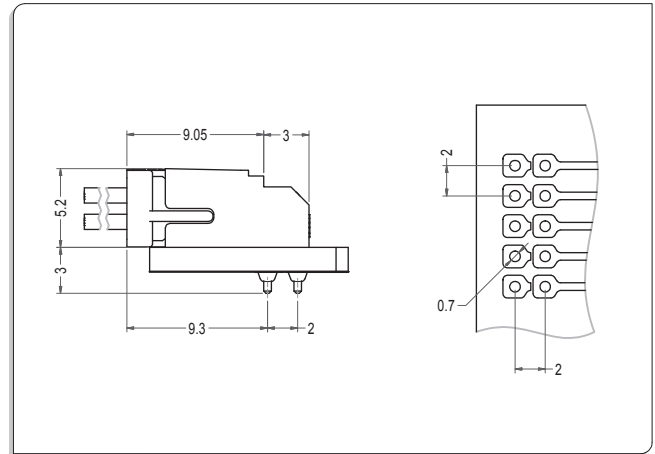
- 1、 Poles : 5PX2 to 20PX2
- 2、 Current rating : 2.0A AC,DC
- 3、 Voltage rating : 250V AC,DC
- 4、 Temperature range : -25°C to +85°C
(Including temperature rise in applying electrical current)
- 5、 Contact resistance : Initial value / $\leq 30m\Omega$
After environmental testing / $\leq 40m\Omega$
- 6、 Insulation resistance : $\geq 1000M\Omega$
- 7、 Withstanding voltage : 800 V AC/minute
- 8、 Applicable wire : AWG #30 to #22
- 9、 Applicable PC board thickness : 0.8~1.6mm

Mounting Measurement

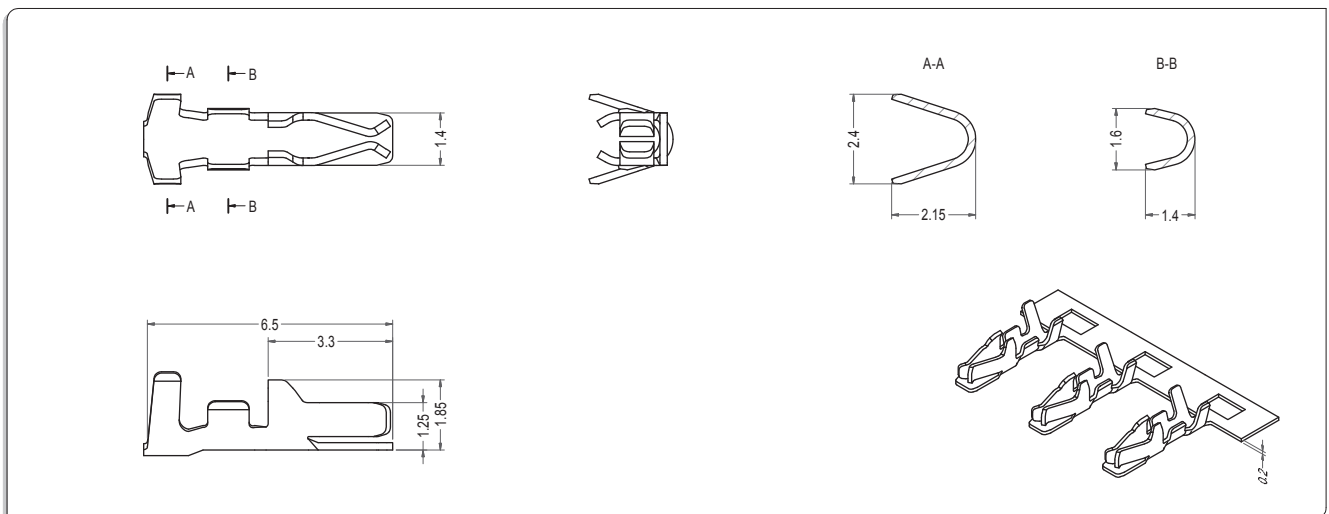
Straight Angle(V-Type)



Right Angle(R-Type)



TERMINAL



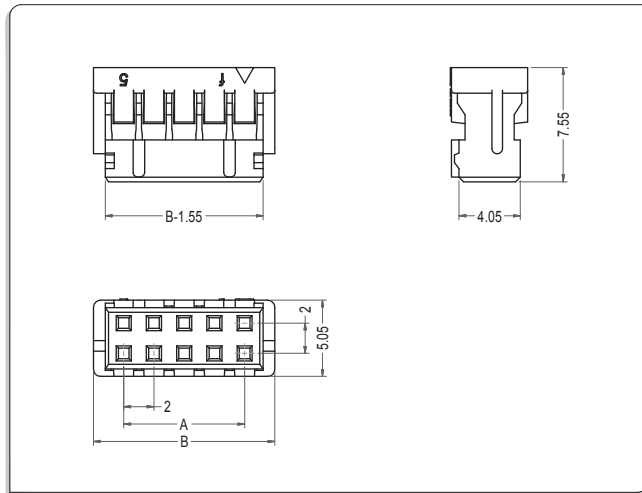
Part No.	Section Area mm ²	Wire Range	Insulation O.D	Material	Finish	Qty/reel
HRT-22T	0.05 to 0.33	AWG #30 to #22	0.9 to 1.5mm	Phosphor bronze	Tin-plated	12,000pcs

HR200 - Connector 2.0mm pitch

euro-conn

HOUSING

Material : Nylon 66 UL94V-0

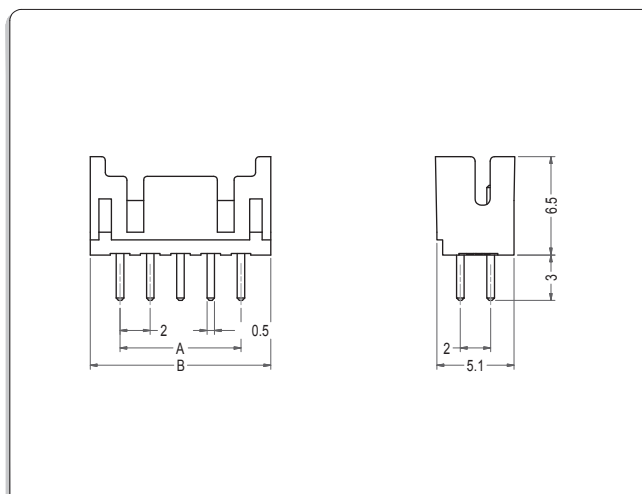


Poles	Part No.	DIM=A	DIM=B
4	HRH200-202VH0	2.00	6.00
6	HRH200-203VH0	4.00	8.00
8	HRH200-204VH0	6.00	10.00
10	HRH200-205VH0	8.00	12.00
12	HRH200-206VH0	10.00	14.00
14	HRH200-207VH0	12.00	16.00
16	HRH200-208VH0	14.00	18.00
18	HRH200-209VH0	16.00	20.00
20	HRH200-210VH0	18.00	22.00
22	HRH200-211VH0	20.00	24.00
24	HRH200-212VH0	22.00	26.00
--	-- --	--	--
40	HRH200-220VH0	38.00	42.00

WAFER

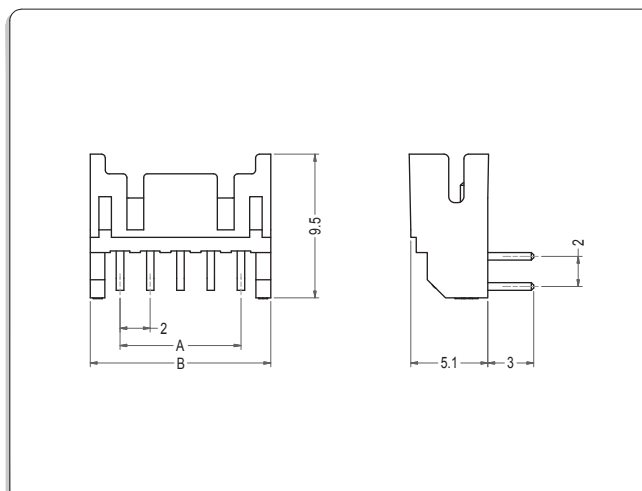
Material : Nylon 66 UL94V-0 & Brass/Tin-plated

Straight Angle(V-Type)



Poles	Part No.	DIM=A	DIM=B
4	HRM200-202DT0	2.00	6.00
6	HRM200-203DT0	4.00	8.00
8	HRM200-204DT0	6.00	10.00
10	HRM200-205DT0	8.00	12.00
12	HRM200-206DT0	10.00	14.00
14	HRM200-207DT0	12.00	16.00
16	HRM200-208DT0	14.00	18.00
18	HRM200-209DT0	16.00	20.00
20	HRM200-210DT0	18.00	22.00
22	HRM200-211DT0	20.00	24.00
24	HRM200-212DT0	22.00	26.00
--	-- --	--	--
40	HRM200-220DT0	38.00	42.00

Right Angle(R-Type)



Poles	Part No.	DIM=A	DIM=B
4	HRM200-202RT0	2.00	6.00
6	HRM200-203RT0	4.00	8.00
8	HRM200-204RT0	6.00	10.00
10	HRM200-205RT0	8.00	12.00
12	HRM200-206RT0	10.00	14.00
14	HRM200-207RT0	12.00	16.00
16	HRM200-208RT0	14.00	18.00
18	HRM200-209RT0	16.00	20.00
20	HRM200-210RT0	18.00	22.00
22	HRM200-211RT0	20.00	24.00
24	HRM200-212RT0	22.00	26.00
--	-- --	--	--
40	HRM200-220RT0	38.00	42.00

A

HR200 - Connector 2.0mm pitch