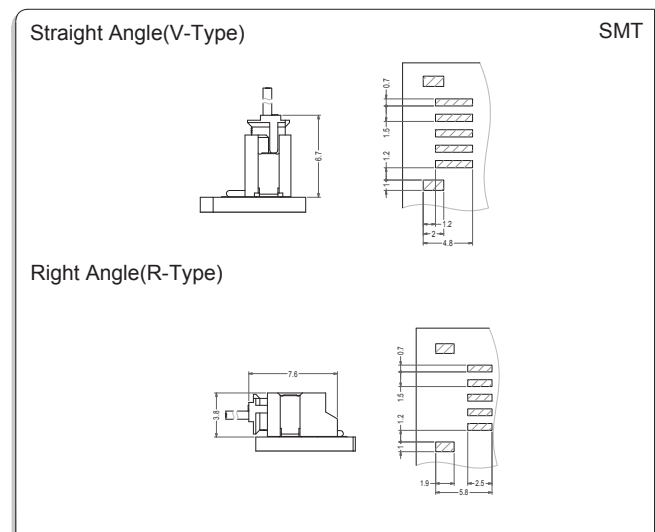
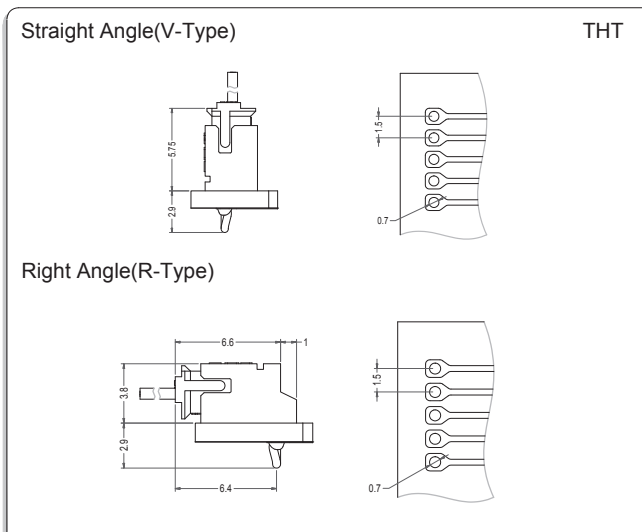


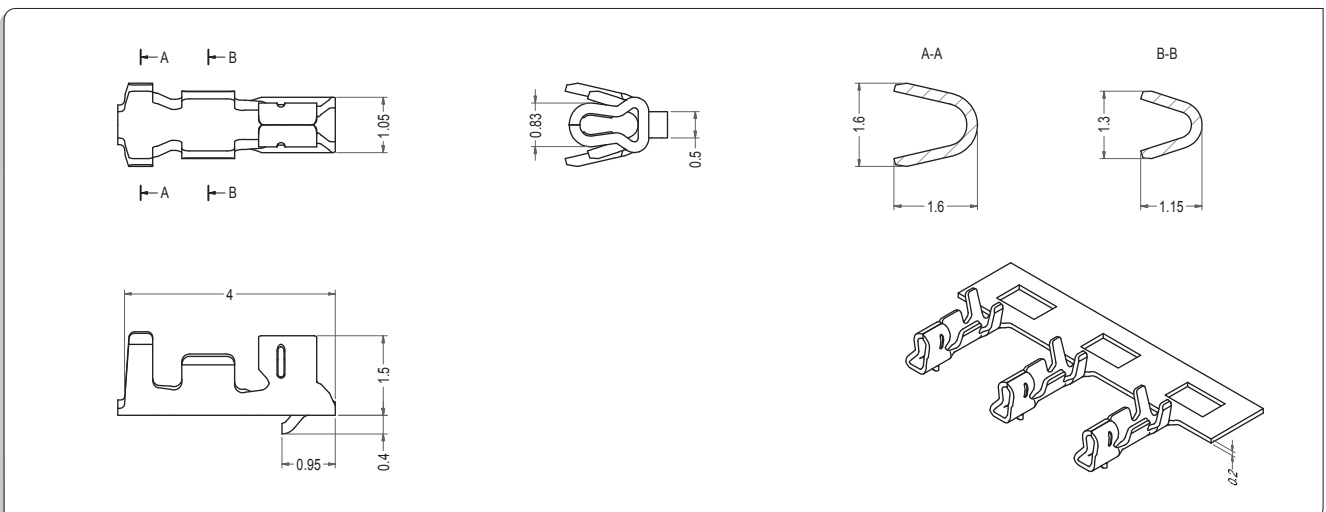
Specifications

- 1、 Poles : 2 to 16P
- 2、 Current rating : 1.0A AC,DC
- 3、 Voltage rating : 50V AC,DC
- 4、 Temperature range : -25°C to +8°C
(Including temperature rise in applying electrical current)
- 5、 Contact resistance : Initial value / $\leq 20m\Omega$
After environmental testing / $\leq 30m\Omega$
- 6、 Insulation resistance : $\geq 500M\Omega$
- 7、 Withstanding voltage : 500 V AC/minute
- 8、 Applicable wire : AWG #32 to #26
- 9、 Applicable PC board thickness : 1.2~1.6mm

Mounting Measurement



TERMINAL



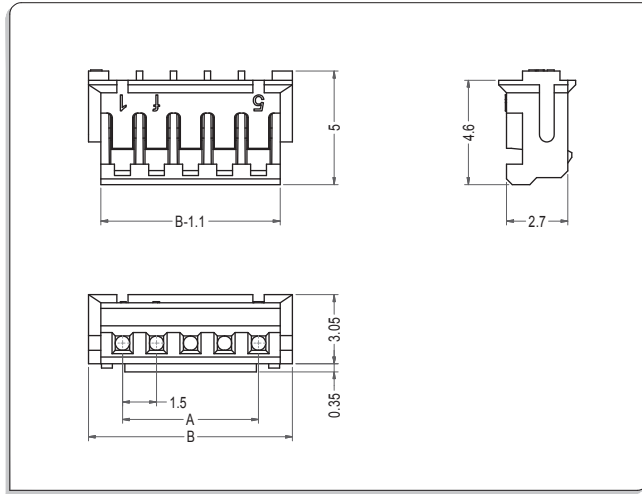
| Part No. | Section Area mm ² | Wire Range | Insulation O.D | Material | Finish | Qty/reel |
|----------|------------------------------|----------------|----------------|-----------------|------------|-----------|
| WA150-TT | 0.032 to 0.13 | AWG #32 to #26 | 0.5 to 1.1mm | Phosphor bronze | Tin-plated | 11,000pcs |

WA150 - Connector 1.5mm pitch

euro-conn

HOUSING

Material : Nylon 66 UL94V-0

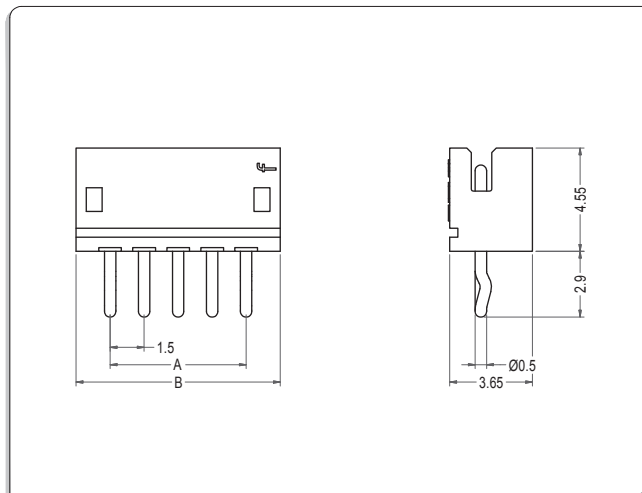


| Poles | Part No. | DIM=A | DIM=B |
|-------|-----------|-------|-------|
| 2 | WA150-02H | 1.50 | 4.50 |
| 3 | WA150-03H | 3.00 | 6.00 |
| 4 | WA150-04H | 4.50 | 7.50 |
| 5 | WA150-05H | 6.00 | 9.00 |
| 6 | WA150-06H | 7.50 | 10.50 |
| 7 | WA150-07H | 9.00 | 12.00 |
| 8 | WA150-08H | 10.50 | 13.50 |
| 9 | WA150-09H | 12.00 | 15.00 |
| 10 | WA150-10H | 13.50 | 16.50 |
| 11 | WA150-11H | 15.00 | 18.00 |
| 12 | WA150-12H | 16.50 | 19.50 |
| -- | -- -- | -- | -- |
| 16 | WA150-16H | 22.50 | 25.50 |

WAFER

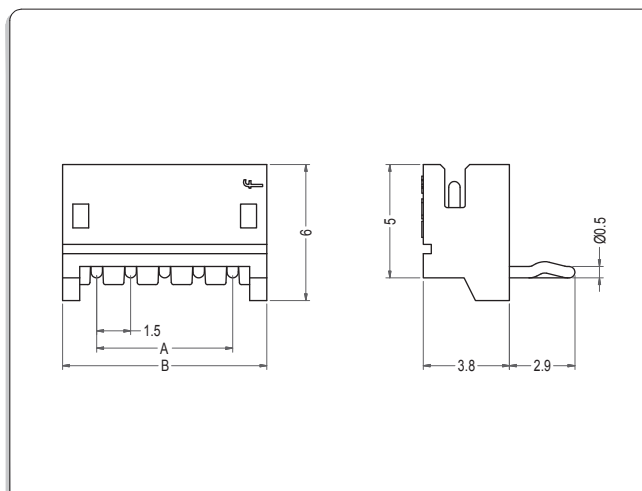
Material : Nylon 66 UL94V-0 & Brass/Tin-plated

Straight Angle(V-Type)



| Poles | Part No. | DIM=A | DIM=B |
|-------|-----------|-------|-------|
| 2 | WA150-02S | 1.50 | 4.50 |
| 3 | WA150-03S | 3.00 | 6.00 |
| 4 | WA150-04S | 4.50 | 7.50 |
| 5 | WA150-05S | 6.00 | 9.00 |
| 6 | WA150-06S | 7.50 | 10.50 |
| 7 | WA150-07S | 9.00 | 12.00 |
| 8 | WA150-08S | 10.50 | 13.50 |
| 9 | WA150-09S | 12.00 | 15.00 |
| 10 | WA150-10S | 13.50 | 16.50 |
| 11 | WA150-11S | 15.00 | 18.00 |
| 12 | WA150-12S | 16.50 | 19.50 |
| -- | -- -- | -- | -- |
| 16 | WA150-16S | 22.50 | 25.50 |

Right Angle(R-Type)



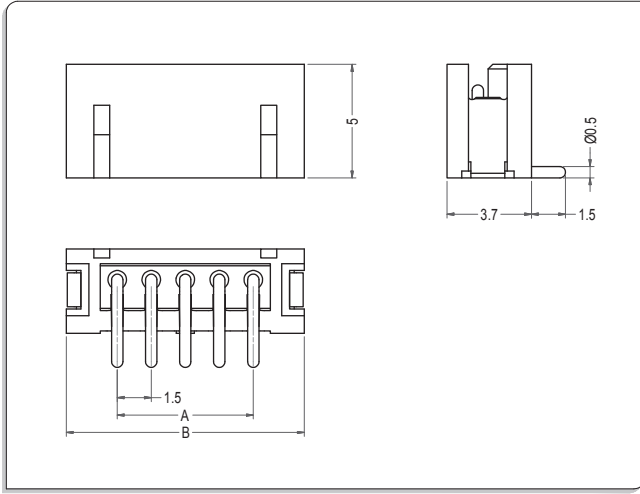
| Poles | Part No. | DIM=A | DIM=B |
|-------|------------|-------|-------|
| 2 | WA150-02RG | 1.50 | 4.50 |
| 3 | WA150-03RG | 3.00 | 6.00 |
| 4 | WA150-04RG | 4.50 | 7.50 |
| 5 | WA150-05RG | 6.00 | 9.00 |
| 6 | WA150-06RG | 7.50 | 10.50 |
| 7 | WA150-07RG | 9.00 | 12.00 |
| 8 | WA150-08RG | 10.50 | 13.50 |
| 9 | WA150-09RG | 12.00 | 15.00 |
| 10 | WA150-10RG | 13.50 | 16.50 |
| 11 | WA150-11RG | 15.00 | 18.00 |
| 12 | WA150-12RG | 16.50 | 19.50 |
| -- | -- -- | -- | -- |
| 16 | WA150-16RG | 22.50 | 25.50 |

A

WA150 - Connector 1.5mm pitch

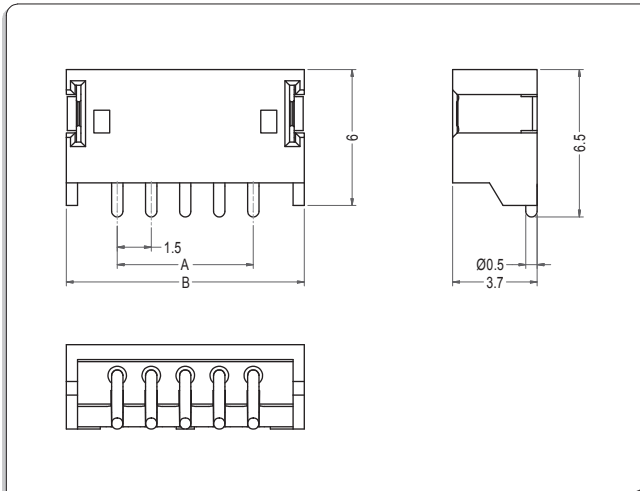
WAFER

- Material : LCP UL94V-0 & Brass/Tin-plated
- Straight Angle(V-Type)



| Poles | Part No. | DIM=A | DIM=B |
|-------|-----------|-------|-------|
| 2 | WA150-02M | 1.50 | 6.00 |
| 3 | WA150-03M | 3.00 | 7.50 |
| 4 | WA150-04M | 4.50 | 9.00 |
| 5 | WA150-05M | 6.00 | 10.50 |
| 6 | WA150-06M | 7.50 | 12.00 |
| 7 | WA150-07M | 9.00 | 13.50 |
| 8 | WA150-08M | 10.50 | 15.00 |
| 9 | WA150-09M | 12.00 | 16.50 |
| 10 | WA150-10M | 13.50 | 18.00 |
| 11 | WA150-11M | 15.00 | 19.50 |
| 12 | WA150-12M | 16.50 | 21.00 |
| -- | -- -- | -- | -- |
| 16 | WA150-16M | 22.50 | 27.00 |

Right Angle(R-Type)



| Poles | Part No. | DIM=A | DIM=B |
|-------|-----------|-------|-------|
| 2 | WA150-02N | 1.50 | 6.00 |
| 3 | WA150-03N | 3.00 | 7.50 |
| 4 | WA150-04N | 4.50 | 9.00 |
| 5 | WA150-05N | 6.00 | 10.50 |
| 6 | WA150-06N | 7.50 | 12.00 |
| 7 | WA150-07N | 9.00 | 13.50 |
| 8 | WA150-08N | 10.50 | 15.00 |
| 9 | WA150-09N | 12.00 | 16.50 |
| 10 | WA150-10N | 13.50 | 18.00 |
| 11 | WA150-11N | 15.00 | 19.50 |
| 12 | WA150-12N | 16.50 | 21.00 |
| -- | -- -- | -- | -- |
| 16 | WA150-16N | 22.50 | 27.00 |

A

WA150 - Connector 1.5mm pitch