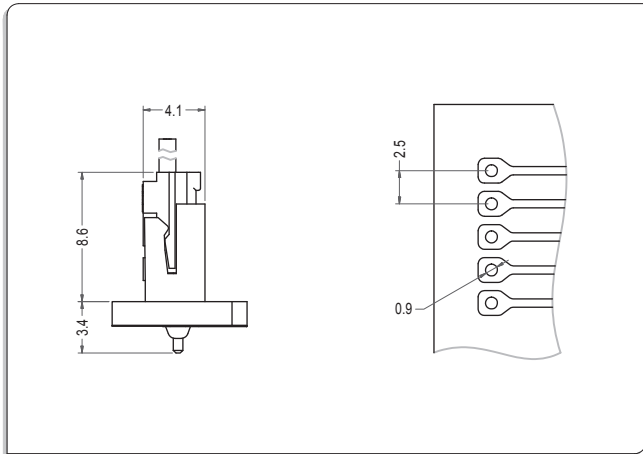


Specifications

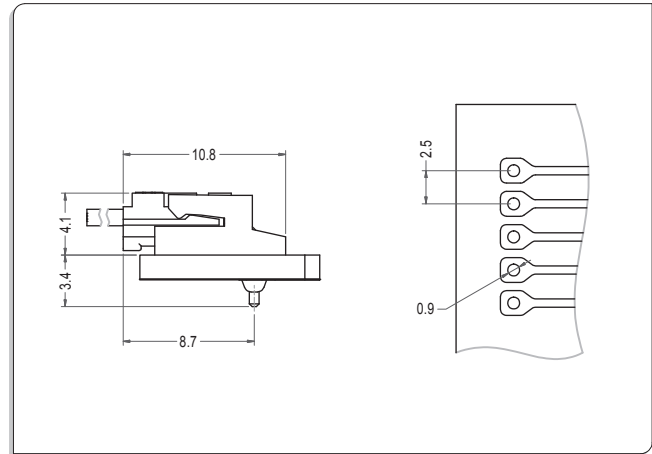
- 1、 Poles : 2 to 16P
  - 2、 Current rating : 3.0A AC,DC
  - 3、 Voltage rating : 250V AC,DC
  - 4、 Temperature range : -25 to +85
- (Including temperature rise in applying electrical current)
- 5、 Contact resistance : Initial value /  $\leq 10m\Omega$   
After environmental testing /  $\leq 20m\Omega$
  - 6、 Insulation resistance :  $\geq 1000M\Omega$
  - 7、 Withstanding voltage : 800 V AC/minute
  - 8、 Applicable wire : AWG #32 to #22
  - 9、 Applicable PC board thickness : 0.8~1.6mm

Mounting Measurement

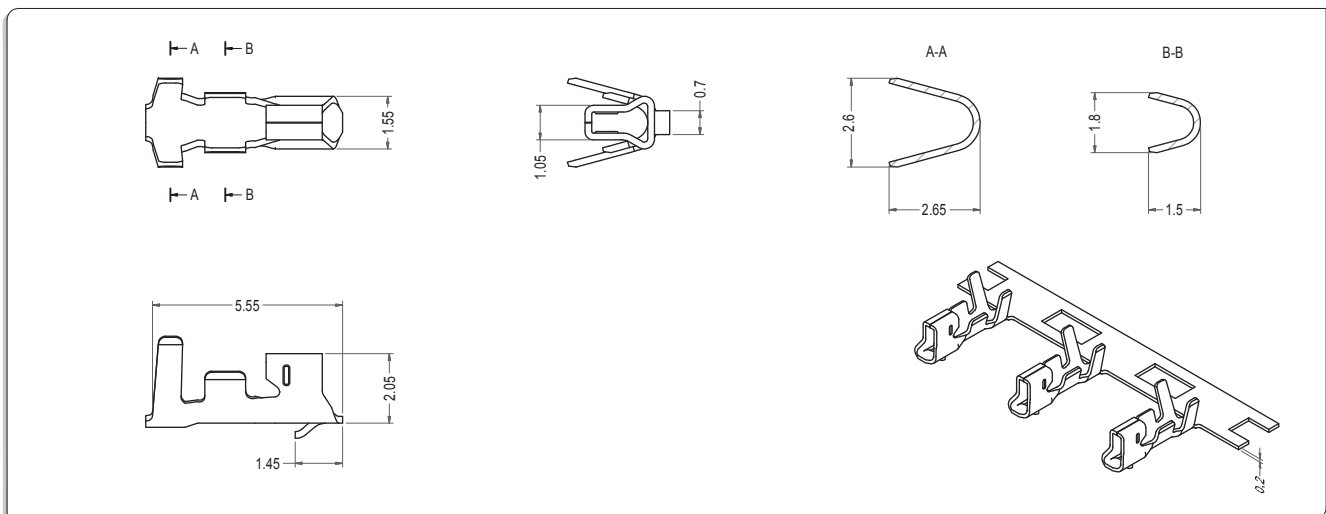
Straight Angle(V-Type)



Right Angle(R-Type)



TERMINAL



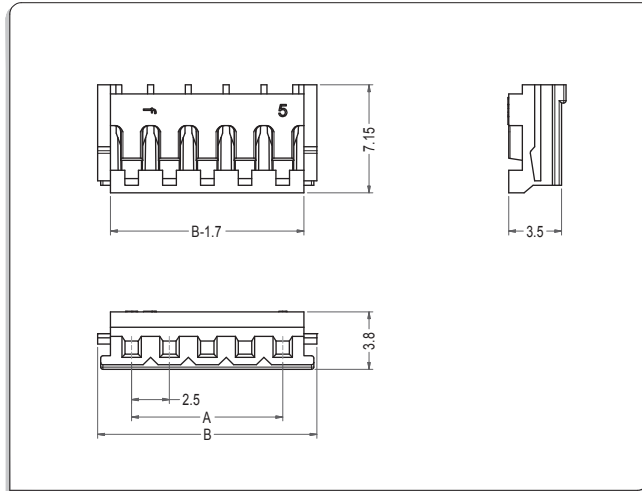
Part No.	Section Area mm <sup>2</sup>	Wire Range	Insulation O.D	Material	Finish	Qty/reel
WA250-TT	0.08 to 0.33	AWG #28 to #22	1.0 to 1.9mm	Phosphor bronze	Tin-plated	9,000pcs

# WA250 - Connector 2.5mm pitch

**euro-conn**

## HOUSING

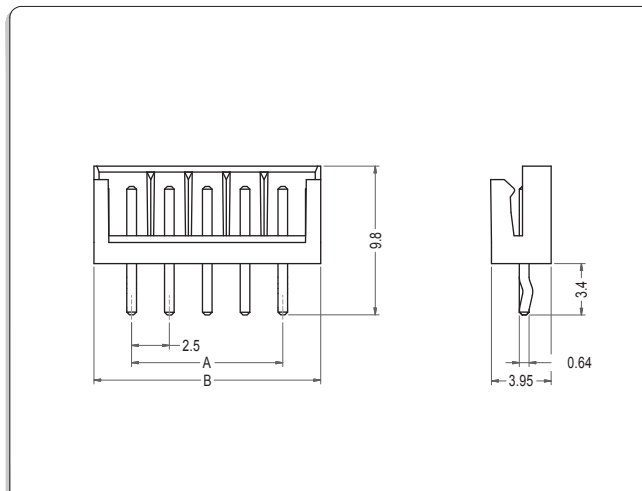
Material : Nylon 66 UL94V-0



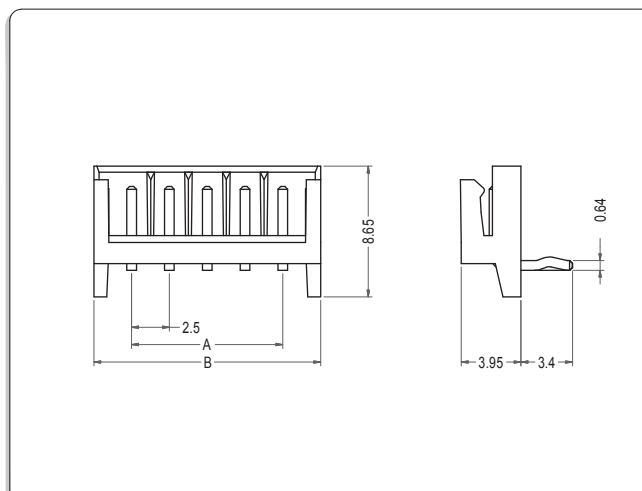
## WAFER

Material : Nylon 66 UL94V-0 & Brass/Tin-plated

Straight Angle(V-Type)



## Right Angle(R-Type)



Poles	Part No.	DIM=A	DIM=B
2	WA250-02H	2.50	7.00
3	WA250-03H	5.00	9.50
4	WA250-04H	7.50	12.00
5	WA250-05H	10.00	14.50
6	WA250-06H	12.50	17.00
7	WA250-07H	15.00	19.50
8	WA250-08H	17.50	22.00
9	WA250-09H	20.00	24.50
10	WA250-10H	22.50	27.00
11	WA250-11H	25.00	29.50
12	WA250-12H	27.50	32.00
--	-- --	--	--
16	WA250-16H	37.50	42.00

Poles	Part No.	DIM=A	DIM=B
2	WA250-02S	2.50	7.50
3	WA250-03S	5.00	10.00
4	WA250-04S	7.50	12.50
5	WA250-05S	10.00	15.00
6	WA250-06S	12.50	17.50
7	WA250-07S	15.00	20.00
8	WA250-08S	17.50	22.50
9	WA250-09S	20.00	25.00
10	WA250-10S	22.50	27.50
11	WA250-11S	25.00	30.00
12	WA250-12S	27.50	32.50
--	-- --	--	--
16	WA250-16S	37.50	42.50

Poles	Part No.	DIM=A	DIM=B
2	WA250-02RG	2.50	7.50
3	WA250-03RG	5.00	10.00
4	WA250-04RG	7.50	12.50
5	WA250-05RG	10.00	15.00
6	WA250-06RG	12.50	17.50
7	WA250-07RG	15.00	20.00
8	WA250-08RG	17.50	22.50
9	WA250-09RG	20.00	25.00
10	WA250-10RG	22.50	27.50
11	WA250-11RG	25.00	30.00
12	WA250-12RG	27.50	32.50
--	-- --	--	--
16	WA250-16RG	37.50	42.50

A

WA250 - Connector 2.5mm pitch