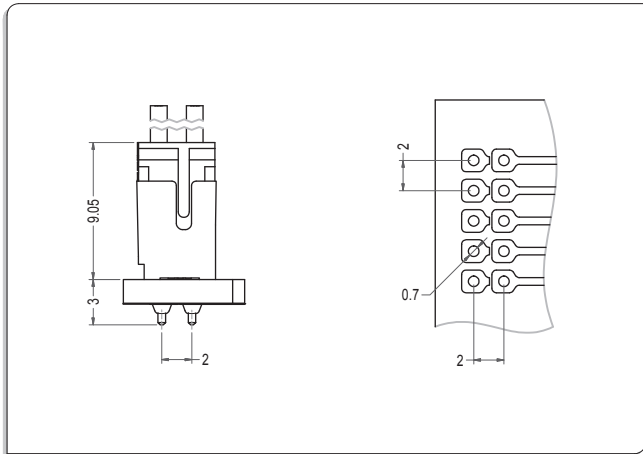


**Specifications**

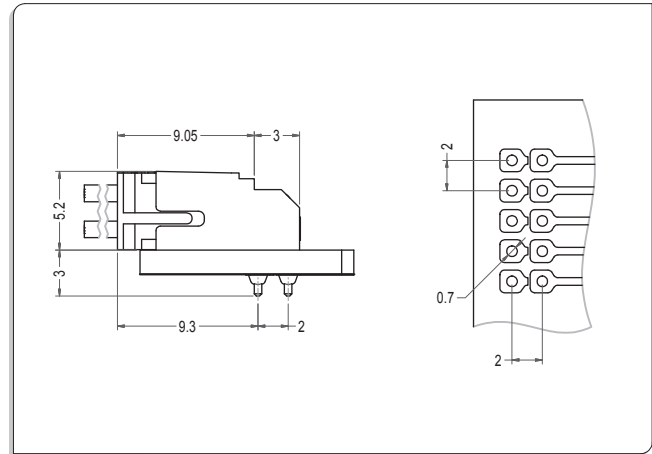
- 1、 Poles : 2PX2 to 20PX2
- 2、 Current rating : 3.0A AC,DC(AWG #22)
- 3、 Voltage rating : 250V AC,DC
- 4、 Temperature range : -25°C to +85°C  
(Including temperature rise in applying electrical current)
- 5、 Contact resistance : Initial value /  $\leq 10m\Omega$   
After environmental testing /  $\leq 20m\Omega$
- 6、 Insulation resistance :  $\geq 1000M\Omega$
- 7、 Withstanding voltage : 800 V AC/minute
- 8、 Applicable wire : AWG #28 to #22
- 9、 Applicable PC board thickness : 0.8~1.6mm

**Mounting Measurement**

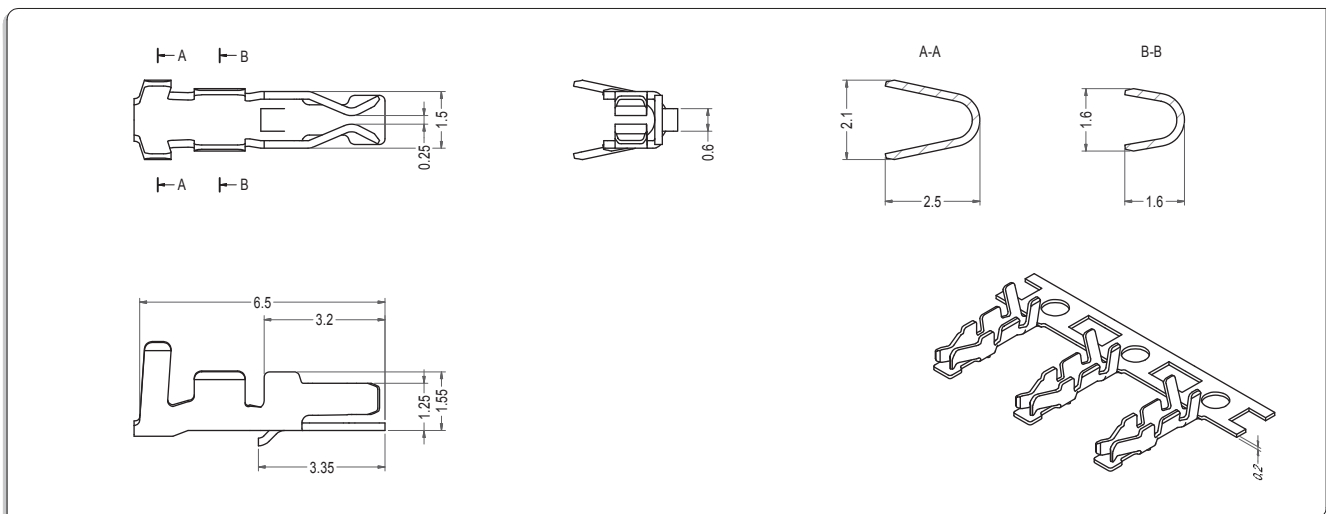
**Straight Angle(V-Type)**



**Right Angle(R-Type)**



**TERMINAL**



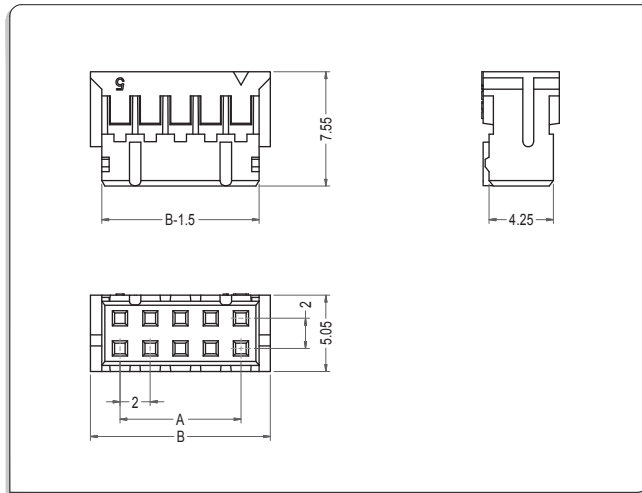
Part No.	Section Area mm <sup>2</sup>	Wire Range	Insulation O.D	Material	Finish	Qty/reel
WB200-TT	0.08 to 0.33	AWG #28 to #22	0.9 to 1.5mm	Phosphor bronze	Tin-plated	10,000pcs

# WB200 - Connector 2.0mm pitch

**euro-conn**

## HOUSING

Material : Nylon 66 UL94V-0

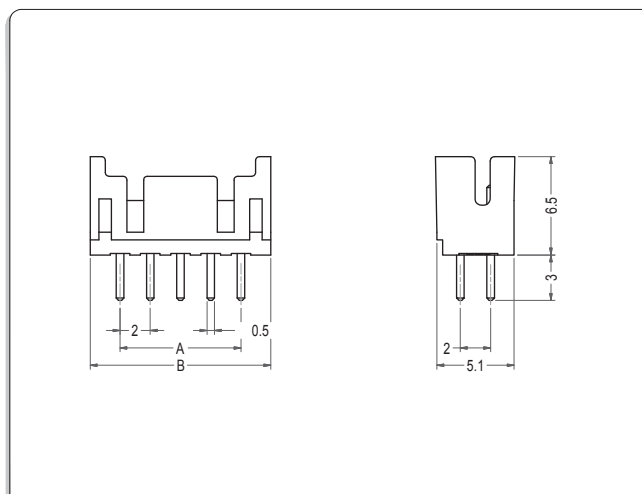


Poles	Part No.	DIM=A	DIM=B
4	WB200-204H	2.00	5.90
6	WB200-206H	4.00	7.90
8	WB200-208H	6.00	9.90
10	WB200-210H	8.00	11.90
12	WB200-212H	10.00	13.90
14	WB200-214H	12.00	15.90
16	WB200-216H	14.00	17.90
18	WB200-218H	16.00	19.90
20	WB200-220H	18.00	21.90
22	WB200-222H	20.00	23.90
24	WB200-224H	22.00	25.90
--	-- --	--	--
40	WB200-240H	38.00	41.90

## WAFER

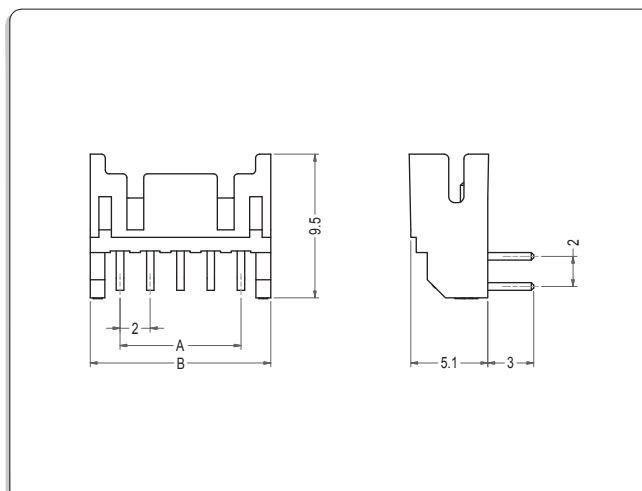
Material : Nylon 66 UL94V-0 & Brass/Tin-plated

Straight Angle(V-Type)



Poles	Part No.	DIM=A	DIM=B
4	WB200-204S	2.00	6.00
6	WB200-206S	4.00	8.00
8	WB200-208S	6.00	10.00
10	WB200-210S	8.00	12.00
12	WB200-212S	10.00	14.00
14	WB200-214S	12.00	16.00
16	WB200-216S	14.00	18.00
18	WB200-218S	16.00	20.00
20	WB200-220S	18.00	22.00
22	WB200-222S	20.00	24.00
24	WB200-224S	22.00	26.00
--	-- --	--	--
40	WB200-240S	38.00	42.00

## Right Angle(R-Type)



Poles	Part No.	DIM=A	DIM=B
4	WB200-204RG	2.00	6.00
6	WB200-206RG	4.00	8.00
8	WB200-208RG	6.00	10.00
10	WB200-210RG	8.00	12.00
12	WB200-212RG	10.00	14.00
14	WB200-214RG	12.00	16.00
16	WB200-216RG	14.00	18.00
18	WB200-218RG	16.00	20.00
20	WB200-220RG	18.00	22.00
22	WB200-222RG	20.00	24.00
24	WB200-224RG	22.00	26.00
--	-- --	--	--
40	WB200-240RG	38.00	42.00

A

WB200 - Connector 2.0mm pitch