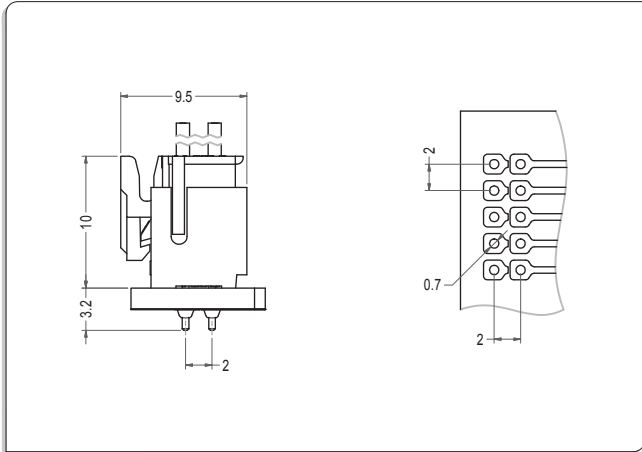


Specifications

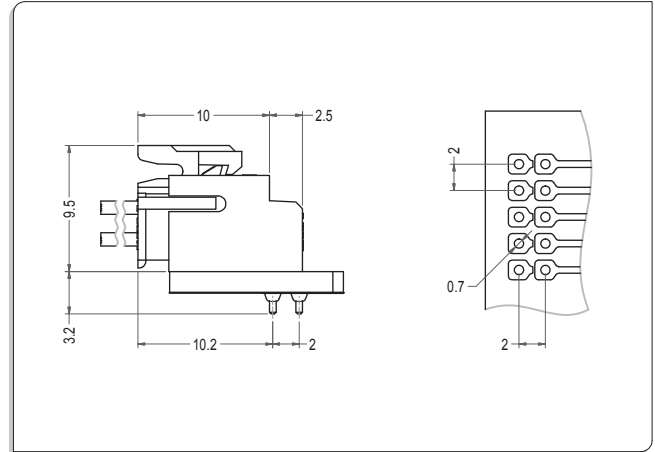
- 1、 Poles : 3PX2 to 30PX2
- 2、 Current rating : 2.0A AC,DC
- 3、 Voltage rating : 250V AC,DC
- 4、 Temperature range : -25°C to +85°C
(Including temperature rise in applying electrical current)
- 5、 Contact resistance : Initial value / $\leq 30m\Omega$
After environmental testing / $\leq 40m\Omega$
- 6、 Insulation resistance : $\geq 1000M\Omega$
- 7、 Withstanding voltage : 1000V AC/minute
- 8、 Applicable wire : AWG #28 to #24
- 9、 Applicable PC board thickness : 0.8~1.6mm

Mounting Measurement

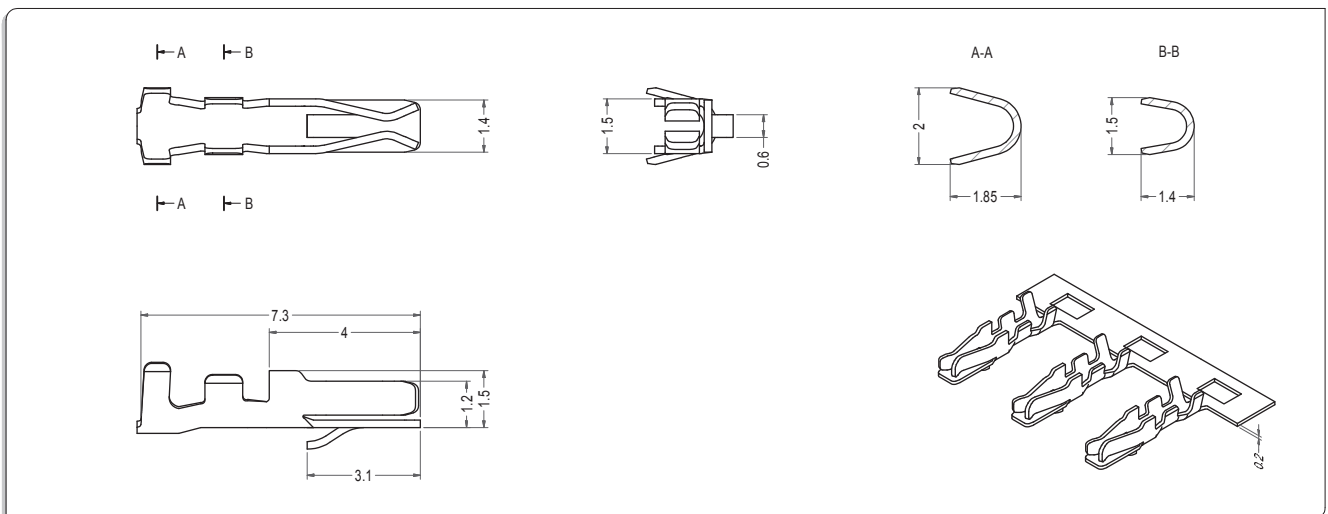
Straight Angle(V-Type)



Right Angle(R-Type)



TERMINAL



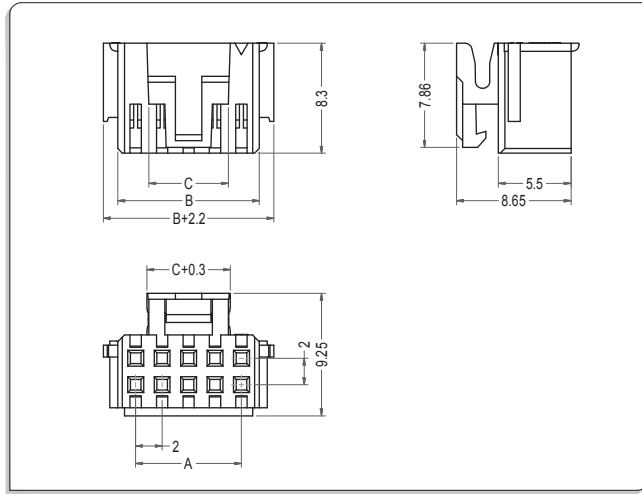
Part No.	Section Area mm	Wire Range	Insulation O.D	Material	Finish	Qty/reel
WG200-TT	0.08 to 0.22	AWG #28 to #24	0.6 to 1.2mm	Phosphor bronze	Tin-plated	15,000pcs

WG200 - Connector 2.0mm pitch

euro-conn

HOUSING

Material : Nylon 66 UL94V-0

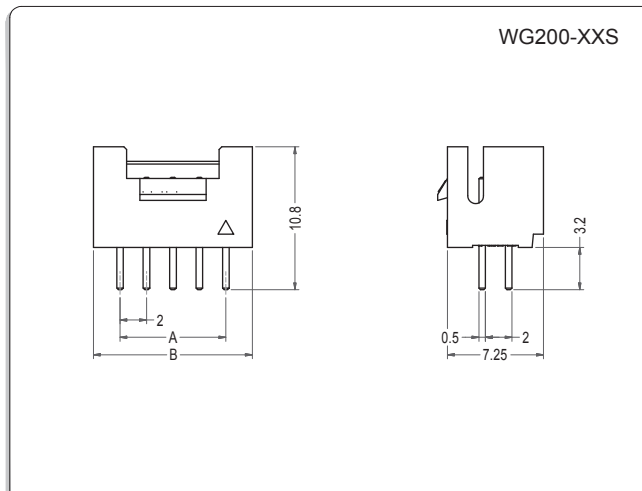


Poles	Part No.	DIM=A	DIM=B	DIM-C
4	WG200-204HM	2.00	4.70	2.80
6	WG200-206HM	4.00	6.70	3.10
8	WG200-208HM	6.00	8.70	4.00
8	WG200-208HB	6.00	8.70	5.15
10	WG200-210HM	8.00	10.70	6.00
10	WG200-210HB	8.00	10.70	6.35
12	WG200-212HM	10.00	12.70	8.00
14	WG200-214HM	12.00	14.70	6.00
14	WG200-214HB	12.00	14.70	9.00
16	WG200-216HM	14.00	16.70	8.00
18	WG200-218HM	16.00	18.70	14.00
18	WG200-218HB	16.00	18.70	11.15
--	-- --	--	--	--
60	WG200-260HM	58.00	60.70	16.00

WAFER

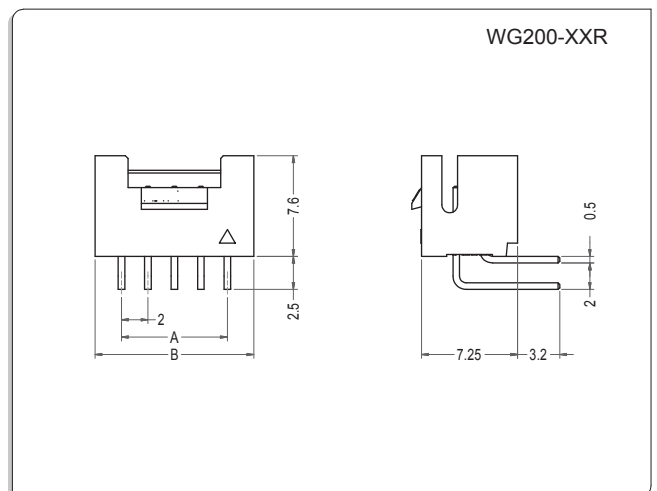
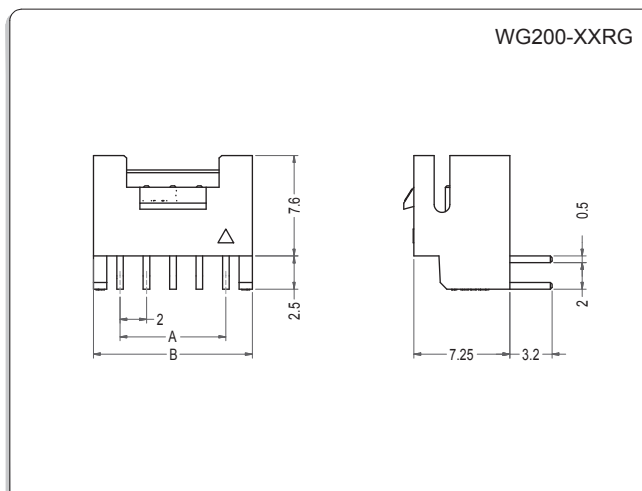
Material : Nylon 66 UL94V-0 & Brass/Tin-plated

Straight Angle(V-Type)



Poles	Part No.	DIM=A	DIM=B
4	WG200-204S	2.00	6.00
6	WG200-206S	4.00	8.00
--	-- --	--	--
60	WG200-260S	58.00	62.00
4	WG200-204R	2.00	6.00
6	WG200-206R	4.00	8.00
--	-- --	--	--
60	WG200-260R	58.00	62.00
4	WA200-204RG	2.00	6.00
6	WA200-206RG	4.00	8.00
--	-- --	--	--
60	WA200-260RG	58.00	62.00

Right Angle(R-Type)



A

WG200 - Connector 2.0mm pitch