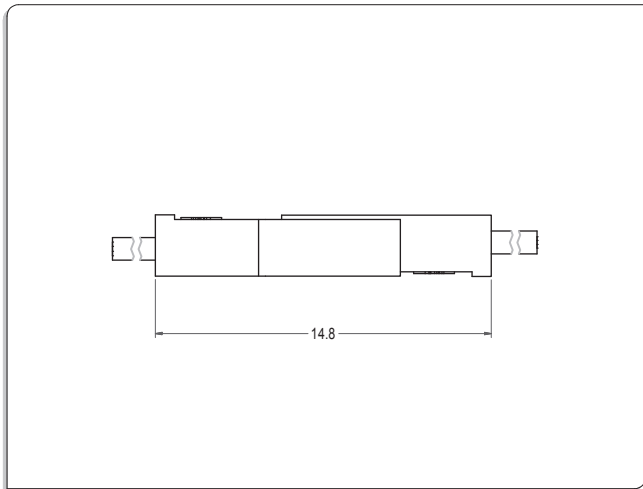


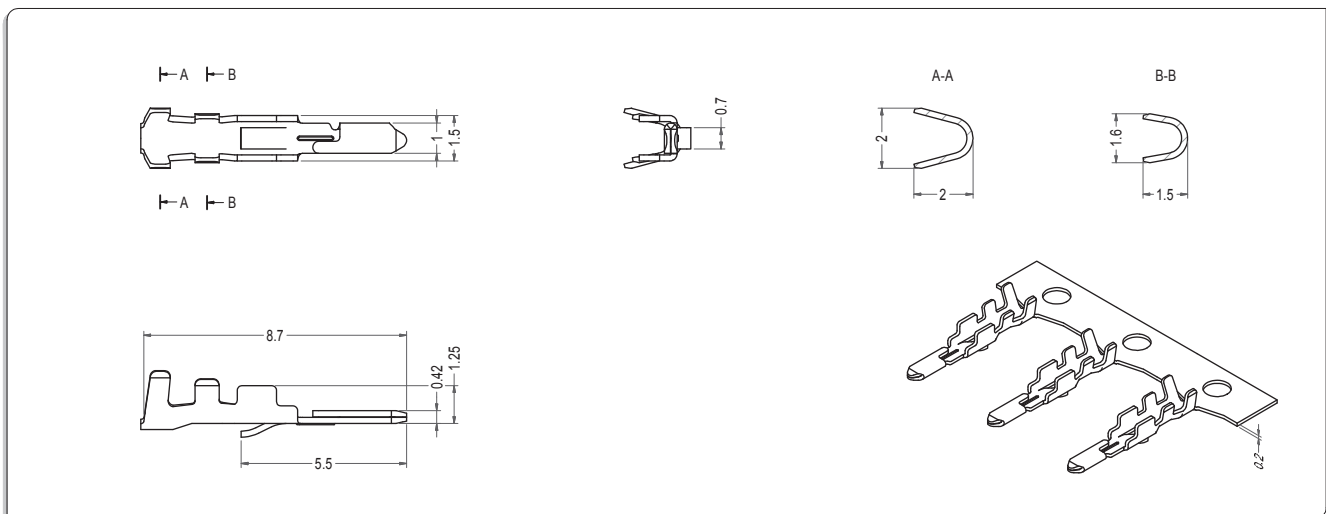
Specifications

- 1、 Poles : 2 to 16P
- 2、 Current rating : 2.0A AC,DC
- 3、 Voltage rating : 125V AC,DC
- 4、 Temperature range : -25°C to +85°C
(Including temperature rise in applying electrical current)
- 5、 Contact resistance : Initial value / $\leq 20m\Omega$
After environmental testing / $\leq 30m\Omega$
- 6、 Insulation resistance : $\geq 1000M\Omega$
- 7、 Withstanding voltage : 500 V AC/minute
- 8、 Applicable wire : AWG #28 to #24

Mounting Measurement



TERMINAL



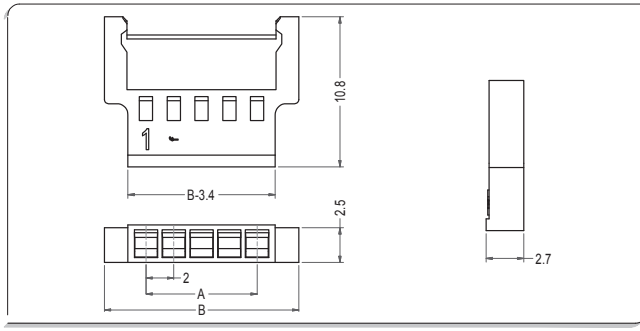
Part No.	Section Area mm	Wire Range	Insulation O.D	Material	Finish	Qty/reel
WI200-TTP	0.08 to 0.22	AWG #28 to #24	1.2mm(MAX)	Brass	Tin-plated	10,000pcs

WI200 - Connector 2.0mm pitch

euro-conn

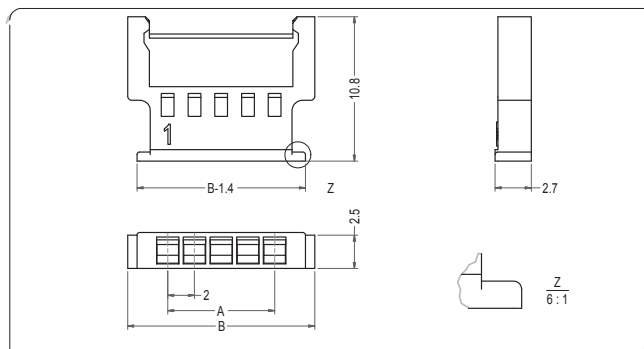
HOUSING

Material : Nylon 66 UL94V-0

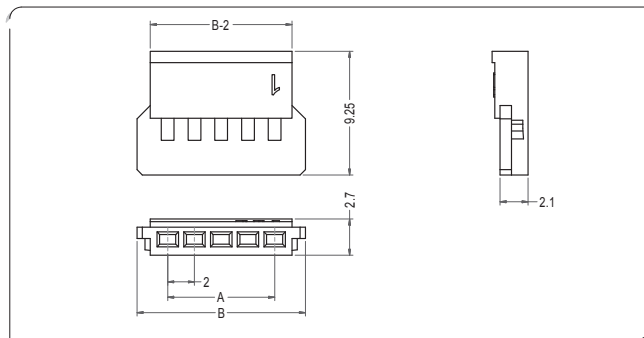


HOUSING

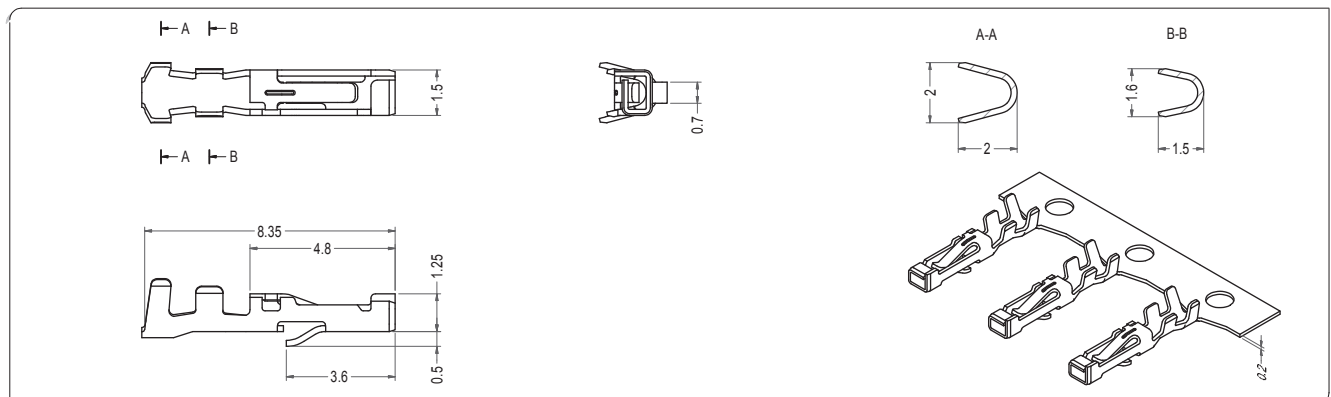
Material : Nylon 66 UL94V-0



Material : Nylon 66 UL94V-0



TERMINAL



Poles	Part No.	DIM=A	DIM=B
2	WI200-02HS	2.00	8.00
3	WI200-03HS	4.00	10.00
4	WI200-04HS	6.00	12.00
5	WI200-05HS	8.00	14.00
6	WI200-06HS	10.00	16.00
7	WI200-07HS	12.00	18.00
8	WI200-08HS	14.00	20.00
9	WI200-09HS	16.00	22.00
10	WI200-10HS	18.00	24.00
11	WI200-11HS	20.00	26.00
12	WI200-12HS	22.00	28.00
--	-- --	--	--
16	WI200-16HS	30.00	36.00

Poles	Part No.	DIM=A	DIM=B
2	WI200-02H1	2.00	8.00
3	WI200-03H1	4.00	10.00
4	WI200-04H1	6.00	12.00
5	WI200-05H1	8.00	14.00
6	WI200-06H1	10.00	16.00
7	WI200-07H1	12.00	18.00
8	WI200-08H1	14.00	20.00
9	WI200-09H1	16.00	22.00
10	WI200-10H1	18.00	24.00
11	WI200-11H1	20.00	26.00
12	WI200-12H1	22.00	28.00
--	-- --	--	--
16	WI200-16H1	30.00	36.00

Poles	Part No.	DIM=A	DIM=B
2	WI200-02HP	2.00	6.60
3	WI200-03HP	4.00	8.60
4	WI200-04HP	6.00	10.60
5	WI200-05HP	8.00	12.60
6	WI200-06HP	10.00	14.60
7	WI200-07HP	12.00	16.60
8	WI200-08HP	14.00	18.60
9	WI200-09HP	16.00	20.60
10	WI200-10HP	18.00	22.60
11	WI200-11HP	20.00	24.60
12	WI200-12HP	22.00	26.60
--	-- --	--	--
16	WI200-16HP	30.00	34.60

Part No.	Section Area mm	Wire Range	Insulation O.D	Material	Finish	Qty/reel
WI200-TTS	0.08 to 0.22	AWG #28 to #24	1.2mm(MAX)	Brass	Tin-plated	13,000pcs



WI200 - Connector 2.0mm pitch