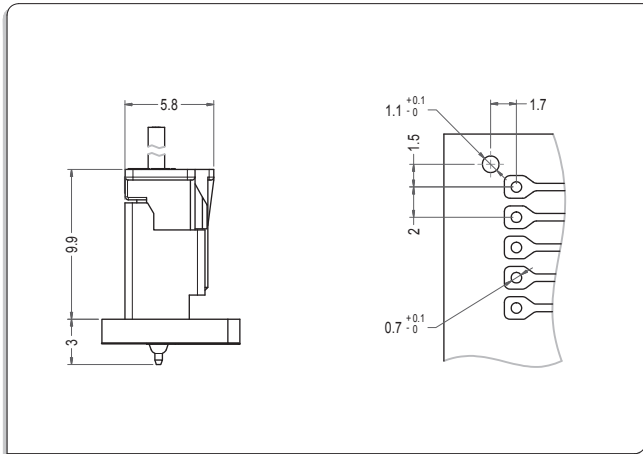


Specifications

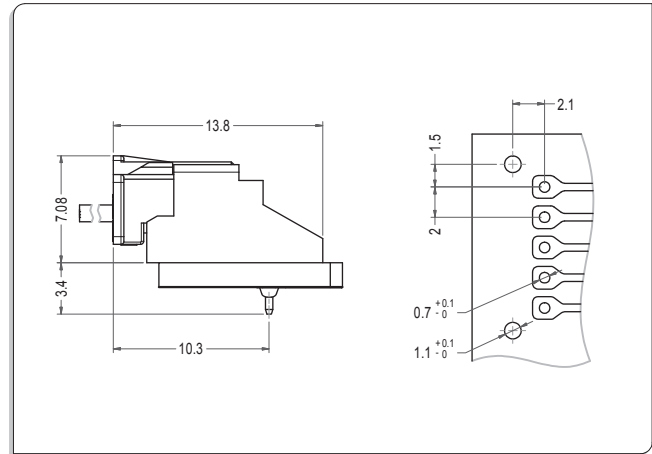
- 1、 Poles : 2 to 24P
- 2、 Current rating : 3.0A AC,DC
- 3、 Voltage rating : 250V AC,DC
- 4、 Temperature range : -25°C to +85°C
(Including temperature rise in applying electrical current)
- 5、 Contact resistance : Initial value / $\leq 10m\Omega$
After environmental testing / $\leq 20m\Omega$
- 6、 Insulation resistance : $\geq 1000M\Omega$
- 7、 Withstanding voltage : 800 V AC/minute
- 8、 Applicable wire : AWG #28 to #22
- 9、 Applicable PC board thickness : 1.6mm

Mounting Measurement

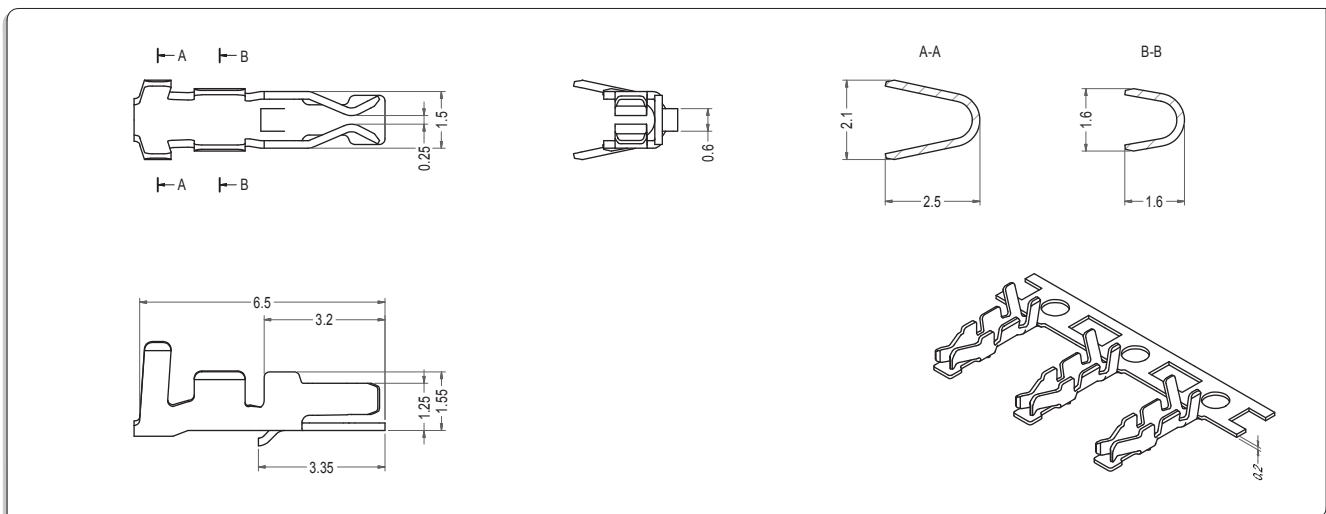
Straight Angle(V-Type)



Right Angle(R-Type)



TERMINAL



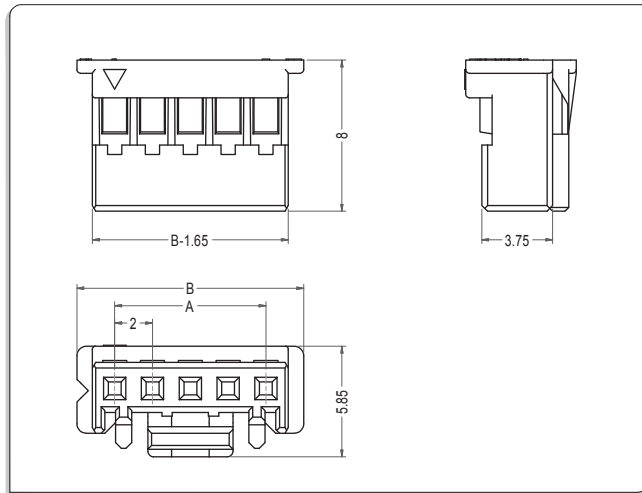
Part No.	Section Area mm	Wire Range	Insulation O.D	Material	Finish	Qty/reel
WC200-TT	0.08 to 0.33	AWG #28 to #22	0.9 to 1.5mm	Phosphor bronze	Tin-plated	10,000pcs

WM200 - Connector 2.0mm pitch

euro-conn

HOUSING

Material : Nylon 66 UL94V-0

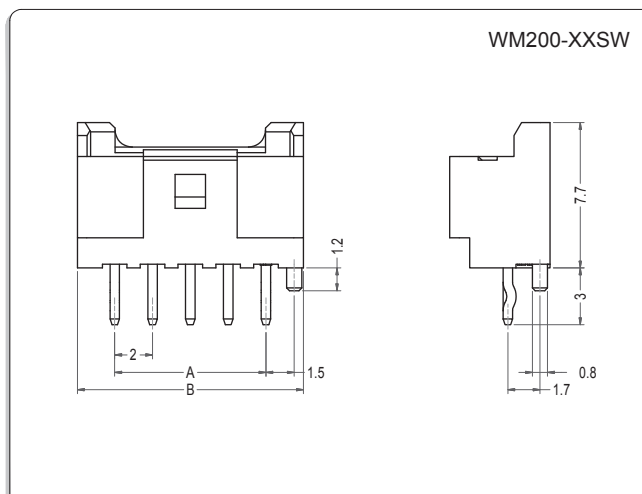


Poles	Part No.	DIM=A	DIM=B
2	WM200-02HM	2.00	6.00
3	WM200-03HM	4.00	8.00
4	WM200-04HM	6.00	10.00
5	WM200-05HM	8.00	12.00
6	WM200-06HM	10.00	14.00
7	WM200-07HM	12.00	16.00
8	WM200-08HM	14.00	18.00
9	WM200-09HM	16.00	20.00
10	WM200-10HM	18.00	22.00
11	WM200-11HM	20.00	24.00
12	WM200-12HM	22.00	26.00
--	-- --	--	--
16	WM200-16HM	30.00	34.00

WAFER

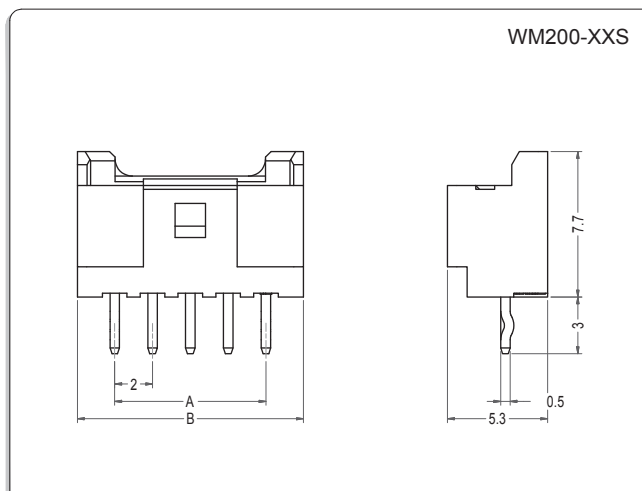
Material : Nylon 66 UL94V-0 & Brass/Tin-plated

Straight Angle(V-Type)

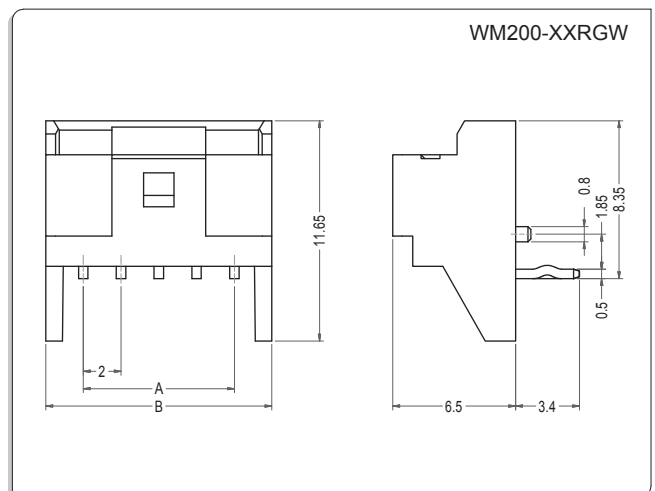


Poles	Part No.	DIM=A	DIM=B
2	WM200-02SW	2.00	6.00
3	WM200-03SW	4.00	8.00
--	-- --	--	--
16	WM200-16SW	30.00	34.00
2	WM200-02S	2.00	6.00
3	WM200-03S	4.00	8.00
--	-- --	--	--
16	WM200-16S	30.00	34.00
2	WM200-02RGW	2.00	6.00
3	WM200-03RGW	4.00	8.00
--	-- --	--	--
16	WM200-16RGW	30.00	34.00

Straight Angle(V-Type)



Right Angle(R-Type)



A

WM200 - Connector 2.0mm pitch