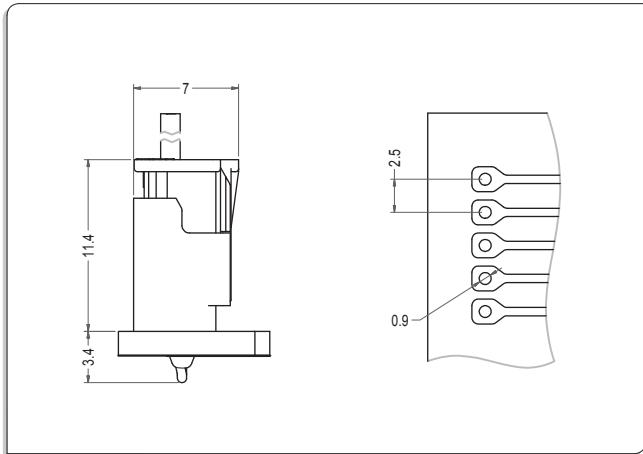


Specifications

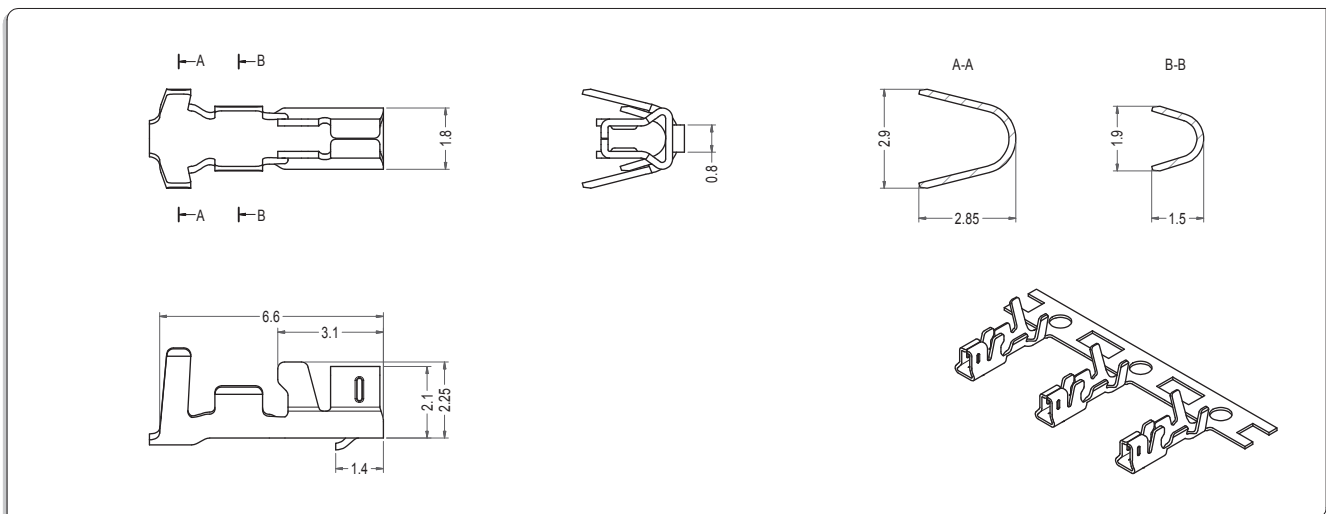
- 1、 Poles : 2 to 20P
 - 2、 Current rating : 3.0A AC,DC
 - 3、 Voltage rating : 250V AC,DC
 - 4、 Temperature range : -25 to +85
- (Including temperature rise in applying electrical current)
- 5、 Contact resistance : Initial value / $\leq 10m\Omega$
After environmental testing / $\leq 20m\Omega$
 - 6、 Insulation resistance : $\geq 1000M\Omega$
 - 7、 Withstanding voltage : 1000V AC/minute
 - 8、 Applicable wire : AWG #28 to #20
 - 9、 Applicable PC board thickness : 1.2~1.6mm

Mounting Measurement

- Straight Angle(V-Type)



TERMINAL



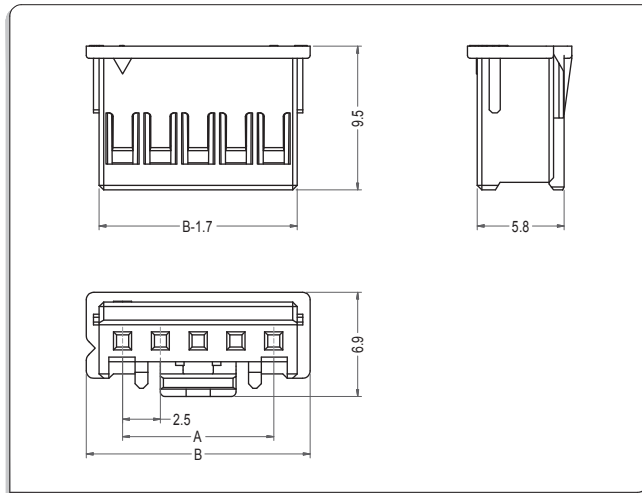
Part No.	Section Area mm	Wire Range	Insulation O.D	Material	Finish	Qty/reel
WM250-TTS	0.08 to 0.5	AWG #28 to #20	0.8 to 1.9mm	Phosphor bronze	Tin-plated	8,000pcs

WM250 - Connector 2.5mm pitch

euro-conn

HOUSING

Material : Nylon 66 UL94V-0

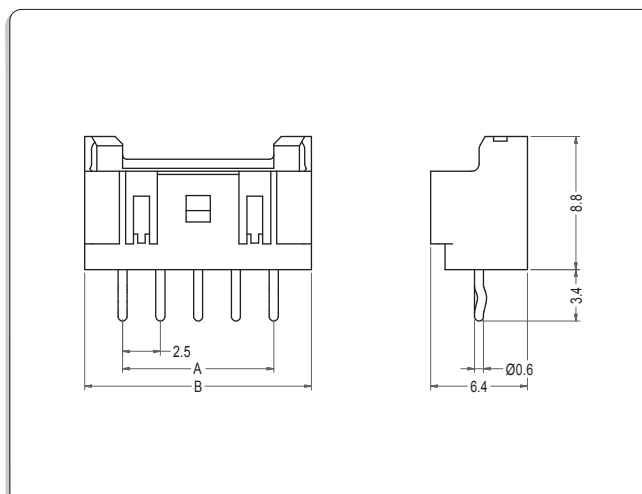


Poles	Part No.	DIM=A	DIM=B
2	WM250-02HM	2.50	7.30
3	WM250-03HM	5.00	9.80
4	WM250-04HM	7.50	12.30
5	WM250-05HM	10.00	14.80
6	WM250-06HM	12.50	17.30
7	WM250-07HM	15.00	19.80
8	WM250-08HM	17.50	22.30
9	WM250-09HM	20.00	24.80
10	WM250-10HM	22.50	27.30
11	WM250-11HM	25.00	29.80
12	WM250-12HM	27.50	32.30
--	-- --	--	--
20	WM250-20HM	47.50	52.30

WAFER

Material : Nylon 66 UL94V-0 & Brass/Tin-plated

Straight Angle(V-Type)



Poles	Part No.	DIM=A	DIM=B
2	WM250-02SD	2.50	7.50
3	WM250-03SD	5.00	10.00
4	WM250-04SD	7.50	12.50
5	WM250-05SD	10.00	15.00
6	WM250-06SD	12.50	17.50
7	WM250-07SD	15.00	20.00
8	WM250-08SD	17.50	22.50
9	WM250-09SD	20.00	25.00
10	WM250-10SD	22.50	27.50
11	WM250-11SD	25.00	30.00
12	WM250-12SD	27.50	32.50
--	-- --	--	--
20	WM250-20SD	47.50	52.50

A

WM250 - Connector 2.5mm pitch