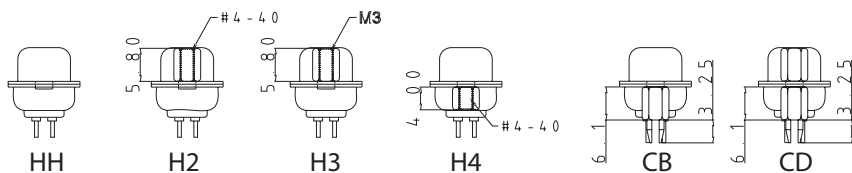
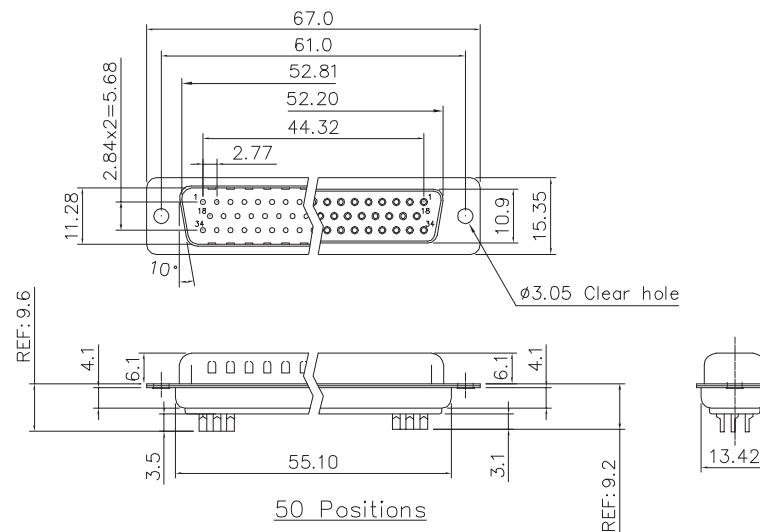
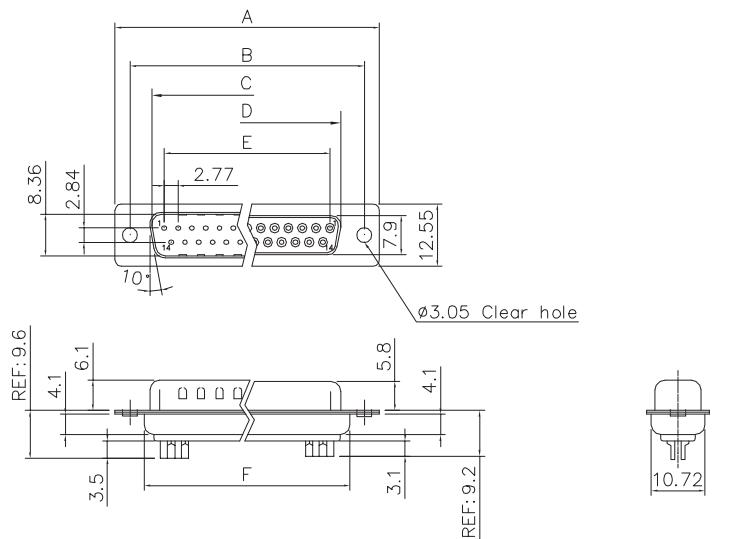


D_sub - wire solder- contact machined

CONSULT SALES OR FACTORY FOR OTHER MOUNTING STYLE OPTIONS

Dimensions

Positions	A	B	C	D	E	F
9	30.81	24.99	16.92	16.33	11.08	19.20
15	39.20	33.30	25.25	24.70	19.39	27.70
25	53.05	47.04	38.96	38.40	33.24	41.10
37	69.40	63.50	55.42	54.80	49.86	57.30



Product Specification

Material
 Insulator : Glass-Filled Thermoplastic PBT,UL94V-0
 Contact : Brass
 Shell : Steel, 100u" Tin Over 50u" min Copper
 Clinch Nut : Brass, Nickel Plated
 Boardlock : Brass, Tin Plated
 Screwlock : Brass, Nickel Plated

Electrical

Contact Resistance : 20 milliohms
 Max at 1 AMP DC.
 Insulation Resistance : 1000
 megohms at 500 VDC
 Dielectric Withstanding Voltage :
 1000 VAC/rms 60Hz for 1 minute
 Current Rating :3 AMP
 Volatge Rating : 250 VAC/rms 60Hz

General description of ordering code

FAMILY	MODEL	CONTACT TYPE	N° PIN	TYPE	CLIP PLATING	ACCESSORIES
DS	B	M	9	M [male]	F [flash gold]	HH [clear hole, 1 mm]
			15	F [female]	G [gold 15u"]	H2 [riveted threaded 4/40UNC]
			25		D [gold 30u"]	H3 [riveted threaded 3MA]
			37			H4 [riveted+rear nut 4/40]
			50			CB [boardlock]
						CD [boardlock + 4/40UNC]

Approvals



E356435



euro-conn



UNITS: mm

SHEET SIZE: ISO A4

SCALE:---

> 0 ~ 3

> 3 ~ 18

> 18 ~ 50

> 50 ~ 120

± 0.12

± 0.15

± 0.3

± 0.5



First angle projection

D-SUB