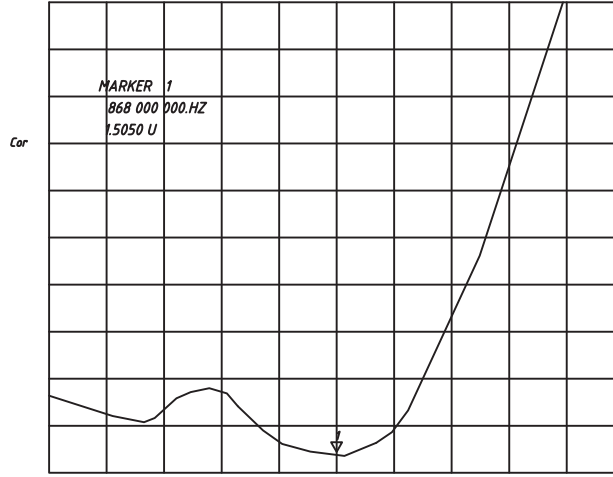


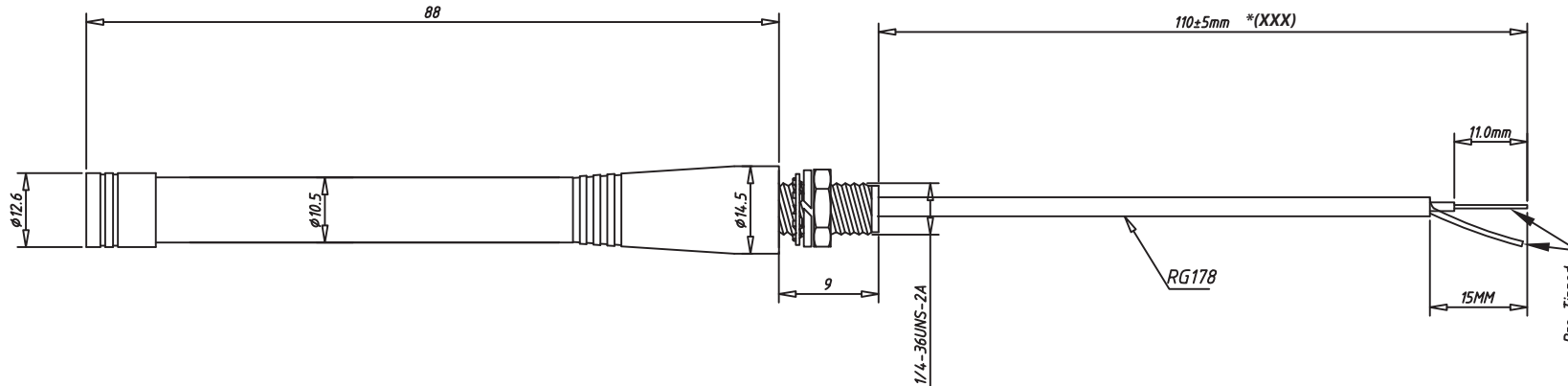
CHI A/R SWR      MKR : 1.5050 U  
 REF 1.000 U      1.000U/    868 000 000.HZ



CHI START 700 000 000.HZ      STOP 1 000 000 000.HZ

**Specification:**

- Frequency : 868±20MHz
- Gain : 3dBi
- Vswr : 2.0 Max.
- Impedance : 50 Ω
- Polarization : Vertical
- Radiation : OMNIDIRECTIONAL
- Connector: SMA-K
- Cable: RG178
- Lightning protection: DC Grounding
- Operating Temperature : -30°C to +70°C



**General description of ordering code**

FAMILY	MODEL	TYPE	LENGHT (L)
<b>AT3</b>	<b>868</b>	<b>088</b>	<b>*XXXLT</b>



**euro-conn**



UNITS: mm		SHEET SIZE: ISO A4		SCALE: ----	
> 0 ~ 3	> 3 ~ 18	> 18 ~ 50	> 50 ~ 120		
± 0.12	± 0.15	± 0.3	± 0.5		

! I prodotti e le caratteristiche possono cambiare senza preavviso.  
 The products and their features may change without notice.

**868 ANTENNA**