

Specification:

Antenna

Center Frequency: 1575.42±1MHz

Band Width: CF±5MHz

Polarization: RHCP

Gain: 5dBi (Zenith)

V.S.W.R.: <1.5

Impedance: 50Ω

Dimension: 13x13x3.5mm

LAN

Gain: 28±2dB

Noise Figure: <2

Ex-band Attenuation: 30dB@CF±40MHz

Supply Voltage: 3.3V DC

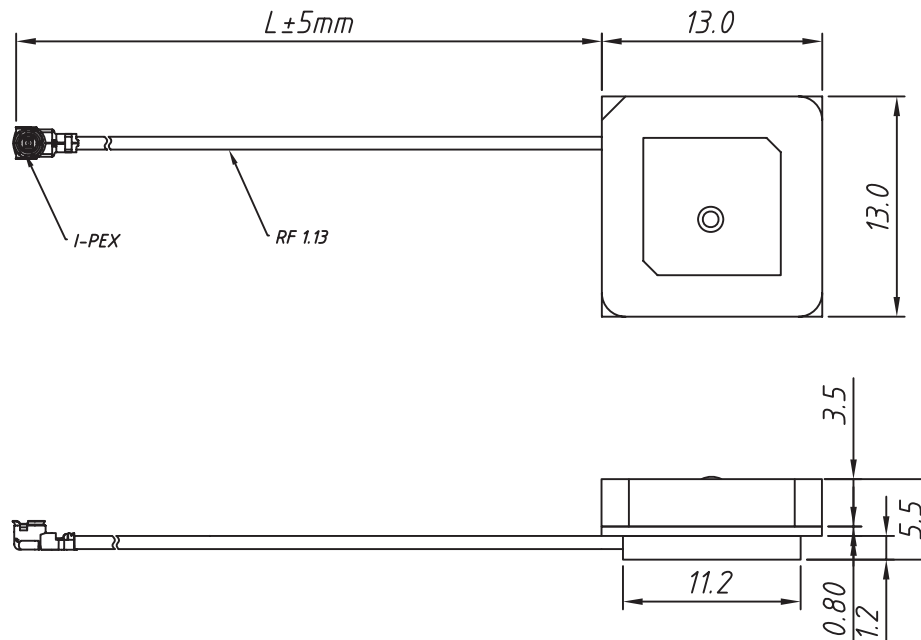
Current Consumption: 9mA

V.S.W.R.: <2.0

Cable: RF 1.13

Connector: I-PEX

Environmental: Operating Temperature : -40°C ~ +85°C



General description of ordering code

FAMILY	MODEL	TYPE (L)
AT55	- GPSIPEX	XXX



euro-conn



UNITS: mm

SHEET SIZE: ISO A4

SCALE: ----

> 0 ~ 3

> 3 ~ 18

> 18 ~ 50

> 50 ~ 120

± 0.12

± 0.15

± 0.3

± 0.5

! I prodotti e le caratteristiche possono cambiare senza preavviso.
The products and their features may change without notice.

GPS INTERNAL ANTENNA