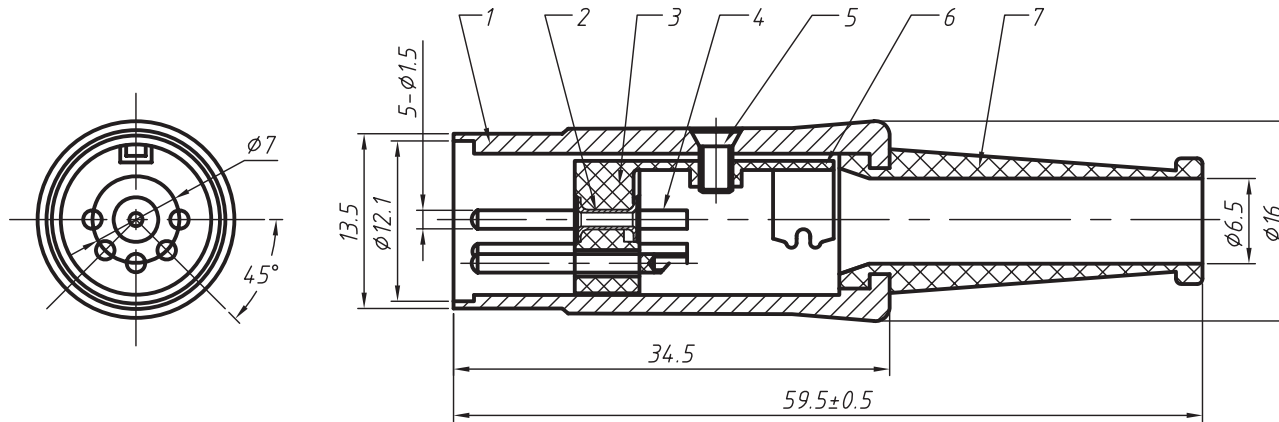


Material:

- 1. Zinc shell: ZZnAL4-1, nickel-plated
- 2. Rivets: H62, nickel-plated
- 3. Plastic capsules: PBT
- 4. Pin: H59-1
- 5. Screws: A3, silver plated
- 6. Terminals: H62, nickel-plated M2.5 * 5.5
- 7. Tail sets: PVC, nickel-plated



PIN	3P	4P	5P 180°	5P 45°	5P 60°	6P	7P	8P
Arrangement Of Contact								

General description of ordering code

FAMILY	POLES	TYPE
MDP	XX	VSNN



euro-conn



UNITS: mm

SHEET SIZE: ISO A4

SCALE:

> 0 ~ 3

> 3 ~ 18

> 18 ~ 50

> 50 ~ 120

± 0.12

± 0.15

± 0.3

± 0.5

! I prodotti e le caratteristiche possono cambiare senza preavviso.
The products and their features may change without notice.

DIN-PLUG