

**Material:**

Housing: PBT

Contacts: Phosphor Bronze, Tinning

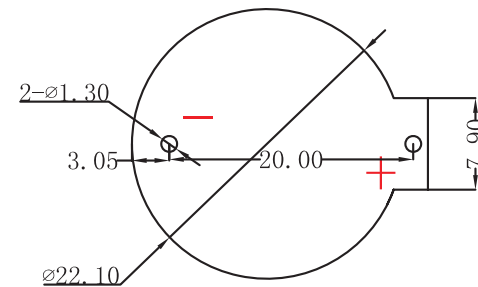
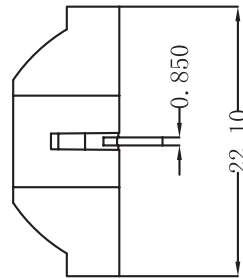
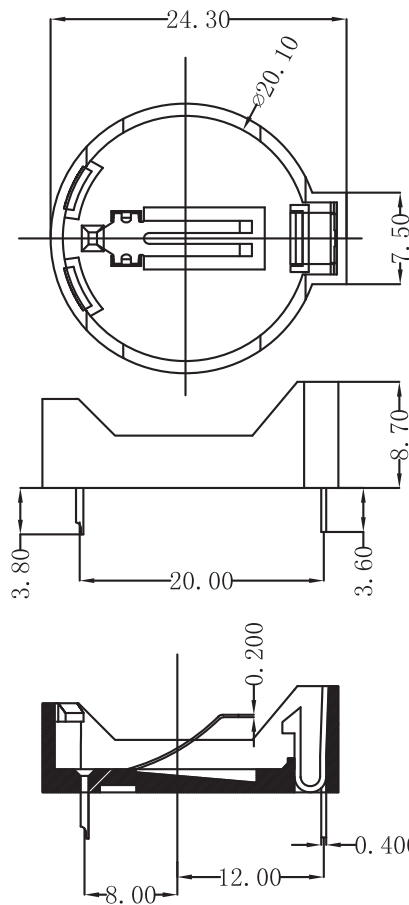
**Electrical Characteristics:**

Insulator Resistance: 1000M Ohm min.

Contact Resistance: 30m Ohm max.

Dielectric voltage: 500V AC

Operating Temperature: -25°C~+85°C



PCB Layout Diagram  
Top View

**General description of ordering code**

FAMILY	MODEL	SIZE	TYPE
BS32	- CR	2032	01

**CR 2032 Coin Battery Holder****euro-conn**

UNITS: mm

SHEET SIZE: ISO A4

SCALE: ----

&gt; 0 ~ 3

&gt; 3 ~ 18

&gt; 18 ~ 50

&gt; 50 ~ 120

± 0.12

± 0.15

± 0.3

± 0.5

! I prodotti e le caratteristiche possono cambiare senza preavviso.  
The products and their features may change without notice.

**COIN CELL HOLDER**